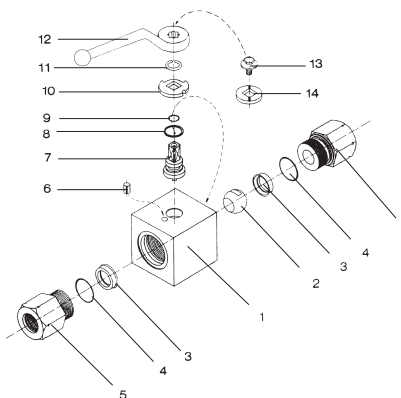


## High-Pressure Block Body Ball Valve - Type BBV-2

A



### List of Components

No.	Qty.	Description
1	1	Housing
2	1	Ball
3*	2	Seat
4*	2	Connector O-Ring
5	2	Connector
6	1	Stop Pin
7	1	Stem
8*	1	Thrust Ring
9*	1	Stem O-Ring
10	1	Cam Plate
11	1	Snap Ring
12	1	Lever
13	1	Stem Screw
14	1	Flow Indicator

### Characteristics

Two-way high-pressure block body ball valves designed for use as on/off devices for hydraulic applications

#### Standard Construction

- Block body design for in-line assembly
- Supplied with off-set lever

#### Standard Materials

- Body: Carbon Steel, zinc/iron-plated
- Ball: Carbon Steel, hard chrome-plated
- Stem: Carbon Steel
- Lever: Zinc (STAUFF Sizes 02 to 08)  
Aluminium (STAUFF Size 10)  
Carbon Steel (STAUFF Sizes 12 to 24R)
- Ball seat: Delrin® (POM)
- O-rings: FKM (Viton®)

#### Standard Connections Styles / Sizes

- Female BSP thread (DIN ISO 228) >G 1-1/2 BSP
- Female NPT thread (ANSI B1.20.1) >1-1/2-11-1/2 NPT
- Female UN/UNF thread (SAE J 514) >1-7/8-12 UN (1-1/2" SAE)
- Male ORFS Connection (ISO 8434-3) >1-11/16-12 UN
- 24° Cone Connection (DIN 2353 / ISO 8434-1) >42L
- 24° Cone Connection (DIN 2353 / ISO 8434-1) >38S

#### Pressure Range

- Pressure range: up to 500 bar / 7250 PSI (depending on size and material combination of the ball valve)

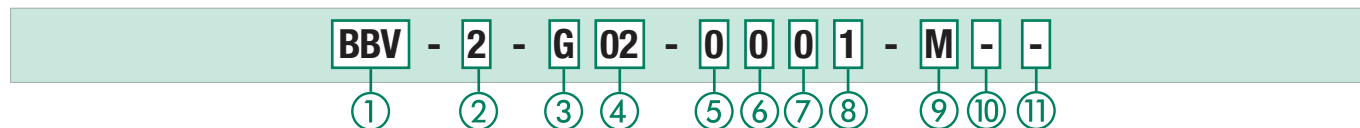
#### Temperature Range

- Operating temperature range:  
-20 °C ... +100 °C / -4 °F ... + 212 °F

#### Options / Accessories

- Alternative lever designs/materials (see page 114)
- Locking devices (see pages 115-117)
- Actuator packages (see page 118)
- Limit switches (see page 118)
- Additional assembling threads / holes (see page 119)
- Stainless Steel body
- Stainless Steel ball and stem
- Special ball seat and O-ring materials available for lower/higher temperatures and more aggressive media
- Seal kits (including items marked by \* in the above list)

### Order Codes



#### ① Type

High-Pressure Block Body Ball Valve **BBV**

#### ② Number of Ports

Two Ports (Two-Way Ball Valve) **2**

#### ③ Connection Style

Female BSP Thread (DIN ISO 228)	<b>G</b>
Female NPT Thread (ANSI B1.20.1)	<b>N</b>
Female UN/UNF Thread (SAE J 514)	<b>U</b>
Male ORFS Connection (ISO 8434-3)	<b>ORFS</b>
24° Cone Connection (Light / Heavy Series)	<b>—</b>

Please contact STAUFF for alternative connection styles.

#### ④ Connection Size

STAUFF Size (according to dimension table) for connection styles G, N, U and ORFS:

<b>02</b>	<b>04</b>	<b>06</b>	<b>08</b>	<b>10</b>	<b>12</b>	<b>16</b>	<b>20R</b>	<b>24R</b>
-----------	-----------	-----------	-----------	-----------	-----------	-----------	------------	------------

Tube Size (according to dimension table) for 24° Cone Connection (Light Series):

<b>06L</b>	<b>08L</b>	<b>10L</b>	<b>12L</b>	<b>15L</b>	<b>18L</b>	<b>22L</b>	<b>28L</b>	<b>35L</b>	<b>42L</b>
------------	------------	------------	------------	------------	------------	------------	------------	------------	------------

Tube Size (according to dimension table) for 24° Cone Connection (Heavy Series):

<b>06S</b>	<b>08S</b>	<b>10S</b>	<b>12S</b>	<b>14S</b>	<b>16S</b>	<b>20S</b>	<b>25S</b>	<b>30S</b>	<b>38S</b>
------------	------------	------------	------------	------------	------------	------------	------------	------------	------------

Please contact STAUFF for alternative connection sizes.

#### ⑤ Body Material / Surface Finishing

Carbon Steel, zinc/iron-plated	<b>0</b>
Carbon Steel, zinc/nickel-plated	<b>8</b>
Stainless Steel V4A (AISI 316Ti)	<b>1</b>

Note: Stainless steel version may vary in dimensions and design.  
Alternative materials / surface finishings are available upon request. Contact STAUFF for further information.

#### ⑥ Ball / Stem Material

Ball: Carbon Steel, hard chrome-plated	<b>0</b>
Stem: Carbon Steel	<b>0</b>
Ball / Stem: Stainless Steel V4A (AISI 316Ti)	<b>1</b>
Ball: Brass, hard chrome-plated	<b>2</b>
Stem: Carbon Steel	<b>2</b>

Alternative materials / surface finishings are available upon request. Contact STAUFF for further information.

#### ⑦ Ball Seat Material

Delrin® (POM)	<b>0</b>
---------------	----------

Alternative materials are available upon request. Contact STAUFF for further information.

#### ⑧ O-Ring Material

NBR (Buna-N®)	<b>0</b>
FKM (Viton®)	<b>1</b>
EPDM	<b>3</b>

Alternative materials are available upon request. Contact STAUFF for further information.

#### ⑨ Manufacturing Code

Manufacturing code for all connection style	<b>M</b>
Manufacturing code for high-pressure version of connection styles G, N and U (STAUFF Size 16)	<b>H</b>

#### ⑩ Lever Options

Supplied with standard lever (according to table)	<b>—</b>
Supplied without lever	<b>0</b>

Alternative levers can be ordered separately. Please see page 114 for further information.

#### ⑪ Accessories / Options

Supplied without accessories	<b>—</b>
Supplied with Locking Device LD1	<b>LD1</b>
Supplied with Locking Device LD2	<b>LD2</b>
Supplied with Locking Device LD3	<b>LD3</b>
Supplied with Locking Device LD4	<b>LD4</b>

Please see page 115-119 for further information and options.

